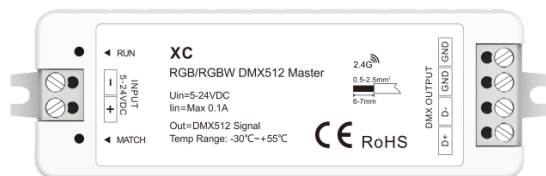


Controlador DMX512 para RGB/RGBW

CONT.XC

CE RoHS emc LVD RED



Características

- Controlador (multipixel) LED RGB o RGBW RF 2.4G con salida de señal DMX512.
- Envía la señal DMX512/1990 estándar internacional a decodificadores DMX512 o lámparas LED con decodificador DMX
- Compatible con mandos a distancia RF 2.4G RGB/RGBW, como el CONT.R9 o CONT.RT10.
- 32 tipos de modo dinámico.

Features

- Mini-style RF 2.4G multi-pixel RGB or RGBW LED controller with DMX512 signal output
- Send international standard DMX512/1990 signal to DMX512 decoders or RGB/RGBW LED lamps with DMX decoder.
- Match with RF 2.4G RGB/RGBW remote control, such as CONT.R9 or CONT.RT10.
- 32 kinds dynamic mode

Parámetros Técnicos / Technical Parameters

| Entrada y salida / Input and Output | |
|--|--|
| Voltaje entrada / Input voltage | 5-24VDC |
| Consumo / Power consumption | 1W |
| Señal de entrada / Input signal | RF 2.4GHz |
| Señal de salida / Output signal | DMX512 |
| Modos dinámicos / Dynamic mode | 32 |
| Puntos de control / Control dots | Max 170 RGB pixels or 128 RGBW pixels (512 Channels) |
| Environment | |
| Temperatura funcionamiento / Operation temperature | Ta: -30 °C ~ +55 °C |
| IP rating | IP20 |

| Seguridad y EMC / Safety and EMC | |
|----------------------------------|---|
| EMC | EN55032:2015, EN61000-3-2:2014, EN61000-3-2:2013, EN55024 :2010/A1:2015 |
| LVD | EN 61347-1:2015, EN 61347-2-11:2015 |
| Certificación / Certification | CE,EMC,LVD |

| Protección / Protection | |
|--|--|
| Polaridad invertida / Reverse Polarity | |

Dimensiones y especificaciones de instalación / Mechanical Structures and Installations

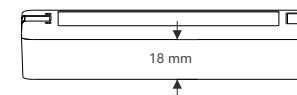
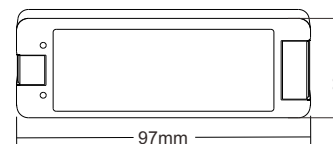
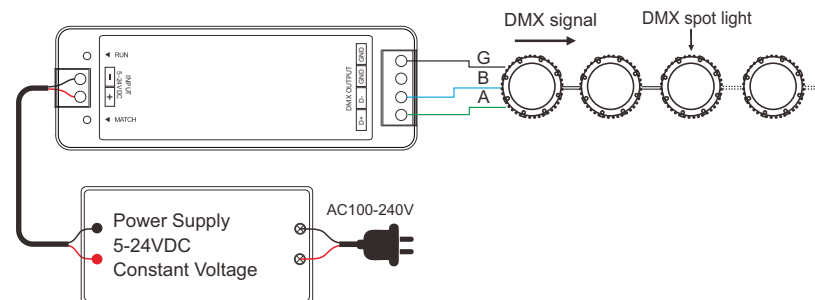


Diagrama de conexión / Wiring Diagram

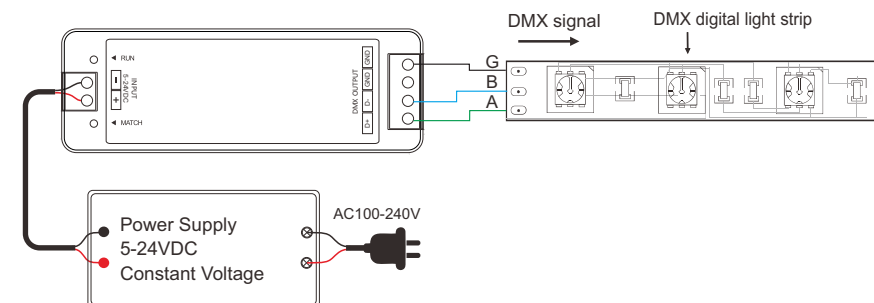
Note: Si conecta lámparas LED RGBW, por favor mantenga pulsada la tecla match durante 15s, el controlador se convertirá en tipo RGBW. Mantenga pulsada la tecla match durante 10 segundos, el controlador volverá al tipo RGB.

Note: If connect with RGBW LED lamps, please long press match key for 15s, the controller will become RGBW type. Long press match key for 10s, the controller will return RGB type.

• Conexión a luminaria DMX / connection with DMX spot light



• Conexión a Tira LED DMX / Connection with DMX pixel strip



Emparejamiento Mando a distancia

Emparejado:

Pulsar el boton 'Match' del controlador e inmediatamente pulsar el botón 'ON/OFF' del mando.

Reseteo:

Mantenga pulsada la tecla 'Match' durante 5s para resetear.

En caso de un correcto desemparejado el indicador LED parpadea 5 veces.

Lista de modos dinámicos

| No. | Nombre | No. | Nombre | No. | Nombre |
|-----|---------------------------------------|-----|------------------|-----|----------------------------|
| P01 | Red horse race white ground | P12 | Blue White chase | P23 | Purple float |
| P02 | Green horse race white ground | P13 | Green Cyan chase | P24 | RGBW float |
| P03 | Blue horse race white ground | P14 | RGB chase | P25 | Red Yellow float |
| P04 | Yellow horse race blue ground | P15 | 7 color chase | P26 | Green Cyan float |
| P05 | Cyan horse race blue ground | P16 | Blue meteor | P27 | Blue Purple float |
| P06 | Purple horse race blue ground | P17 | Purple meteor | P28 | Blue White float |
| P07 | 7 color multi horse race | P18 | White meteor | P29 | 6 color float |
| P08 | 7 color horse race close + open | P19 | 7 color meteor | P30 | 6 color smooth sectionally |
| P09 | 7 color multi horse race close + open | P20 | Red float | P31 | 7 color jump sectionally |
| P10 | 7 color scan close + open | P21 | Green float | P32 | 7 color strobe sectionally |
| P11 | 7 color multi-scan close + open | P22 | Blue float | | |

Análisis y solución de averías.

| Averías | Causas | Solución de problemas |
|----------------------|---|--|
| No hay luz | 1. Sin alimentación 2. Wrong connection or insecure. | 1. Comprueba la alimentación. 2. Comprueba la conexión. |
| Color equivocado | 1. DMX decoder start address error. | 1. Compruebe la dirección de inicio DMX. |
| No responde al mando | 1. La batería no tiene carga. 2. Fuera de la distancia de detección. 3. El mando y el controlador no estan emparejados. | 1. Reemplace la batería . 2. Reduzca la distancia. 3. Vuelva a realizar el emparejamiento. |

Información de seguridad

Lea atentamente todas las instrucciones antes de comenzar esta instalación.
Solo para uso en interiores y lugares secos.

NOVOLUX Lighting, SL.

C/ Ramón Berenguer, 8 (Polígono Industrial Can Vinyals)

08130 Sta. Perpètua de Mogoda - BARCELONA - España/Spain/Espagne

ESPAÑA- PORTUGAL: Tel. +93 274 52 52

E-mail: info@novoluxlighting.com

REST OF THE WORLD: Phone +34 93 516 20 05

E-mail: export@novoluxlighting.com

Fax +34 933 463 751 / 933 114 546

www.novoluxlighting.com

Match Remote Control

Match:

Short press match key , immediately press on/off key of the remote.

Delete:

Press and hold match key for 5s to delete all match, The light blinks 5 times means all matched remotes were deleted.

Dynamic mode list

| No. | Name | No. | Name | No. | Name |
|-----|---------------------------------------|-----|------------------|-----|----------------------------|
| P01 | Red horse race white ground | P12 | Blue White chase | P23 | Purple float |
| P02 | Green horse race white ground | P13 | Green Cyan chase | P24 | RGBW float |
| P03 | Blue horse race white ground | P14 | RGB chase | P25 | Red Yellow float |
| P04 | Yellow horse race blue ground | P15 | 7 color chase | P26 | Green Cyan float |
| P05 | Cyan horse race blue ground | P16 | Blue meteor | P27 | Blue Purple float |
| P06 | Purple horse race blue ground | P17 | Purple meteor | P28 | Blue White float |
| P07 | 7 color multi horse race | P18 | White meteor | P29 | 6 color float |
| P08 | 7 color horse race close + open | P19 | 7 color meteor | P30 | 6 color smooth sectionally |
| P09 | 7 color multi horse race close + open | P20 | Red float | P31 | 7 color jump sectionally |
| P10 | 7 color scan close + open | P21 | Green float | P32 | 7 color strobe sectionally |
| P11 | 7 color multi-scan close + open | P22 | Blue float | | |

Malfunctions analysis & troubleshooting

| Malfunctions | Causes | Troubleshooting |
|-----------------------------|---|--|
| No light | 1. No power. 2. Wrong connection or insecure. | 1. Check the power. 2. Check the connection. |
| Wrong color | 1. DMX decoder start address error. 2. Wrong connection of R/ G/ B wires. | 1. Check the DMX start address. 2. Reconnect R/ G/ B wires. |
| No response from the remote | 1. The battery has no power. 2. Beyond controllable distance. 3. The controller did not match the remote. | 1. Replace battery. 2. Reduce remote distance. 3. Re-match the remote. |

Safety information

Read all instructions carefully before you begin this installation.
For indoor and dry location use only.